

Series R8 Ball Valve

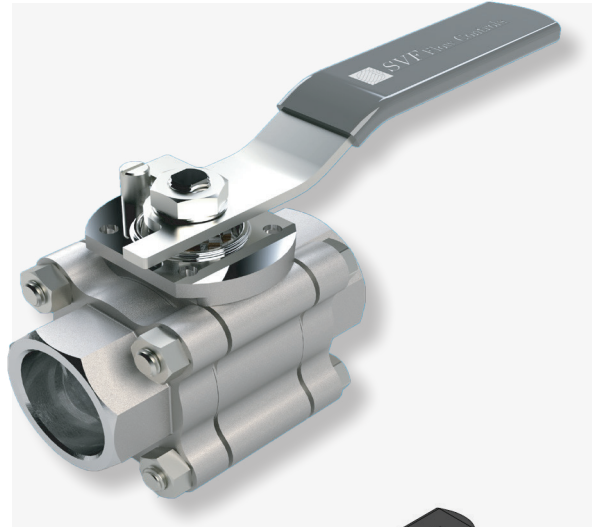
Three-Piece Ball Valve, Standard Port
 Sizes 1/4" ~ 3"



The SVF Series R8 Ball Valves feature a high performance design for use in critical, process-quality applications. These valves exceed the pressure & temperature ratings of traditional, general purpose ball valves.

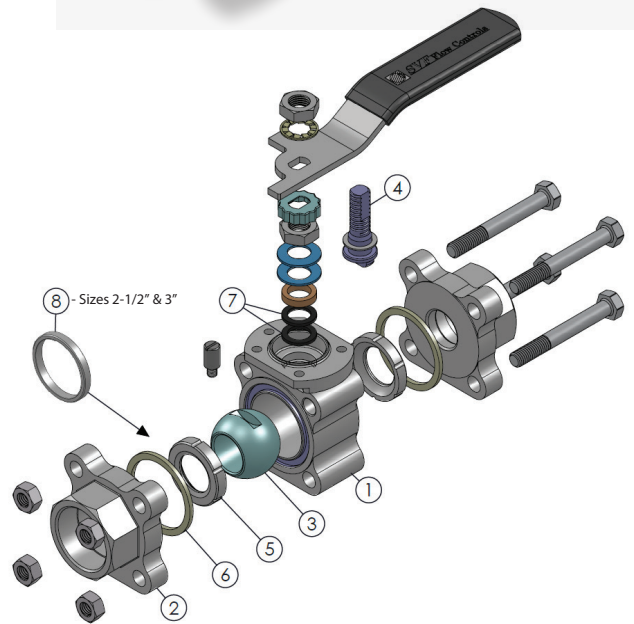
SERIES R8 DESIGN FEATURES

- ✓ High performance design for process-quality applications
- ✓ Encapsulated body seals to facilitate welding without disassembly
- ✓ Live-loaded stem seal ensures seal-tight pressure containment even under thermal cycling
- ✓ Three-piece "swing out" design offers easy access for in-line maintenance
- ✓ ISO 5211 mounting pad for easy actuation
- ✓ Standard seat material is TFM1600™
- ✓ Blowout proof stem adds safety & reliability
- ✓ Stainless steel valves have 316L ends
- ✓ Full range of options to suit specific requirements



MATERIALS OF CONSTRUCTION

ITEM	DESCRIPTION	MATERIALS SPECIFICATIONS
1	Body	316 Stainless Steel (ASTM A351 CF8M) Carbon Steel (ASTM A216 WCB)
2	End Connector	316L Stainless Steel (ASTM A351 CF3M) Carbon Steel (ASTM A216 WCB)
3	Ball	316 Stainless Steel (ASTM A351 CF8M)
4	Stem	316 Stainless Steel (ASTM A276 316) 17-4 pH Stainless Steel (ASTM A564 630)
5	Seat	TFM1600™, Delrin®, SupraLon™, UHMWPE, PEEK
6	Body Seal	PTFE, Buna "N", GRAFOIL®, SupraLon™, UHMWPE, Viton®, EPDM
7	Stem Seal	SupraLon™, TFM1600™ (Optional)
8	Retainer Sizes 2-1/2" & 3"	316 Stainless Steel



SPECIFICATION STANDARDS OF COMPLIANCE

SVF Series R8 Ball Valves are available in designs that meet the following Industry Standards:

- ANSI
- ASME
- API
- DIN
- ISO
- MSS
- ASTM
- NACE

Contact SVF for specific applications

What do you need today?™



Series R8 Ball Valve

Three-Piece Ball Valve, Standard Port

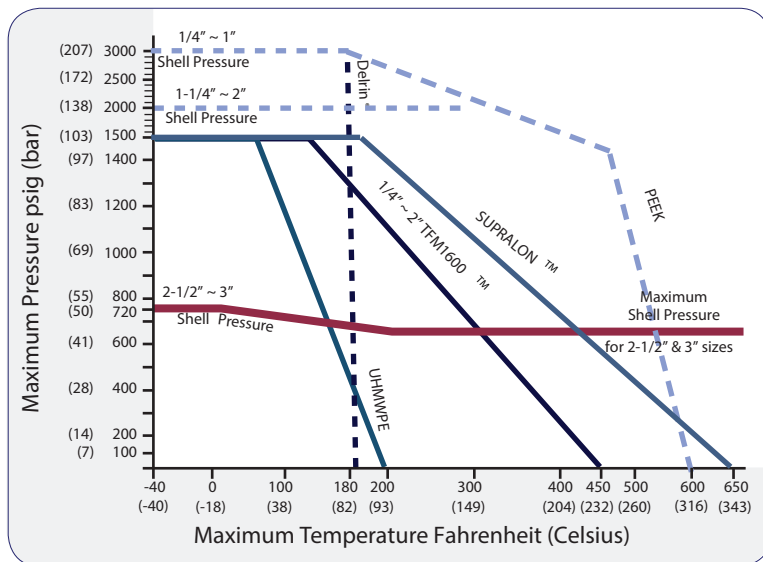
Sizes 1/4" ~ 3"



DIMENSIONS, WEIGHT, C_v, TORQUE

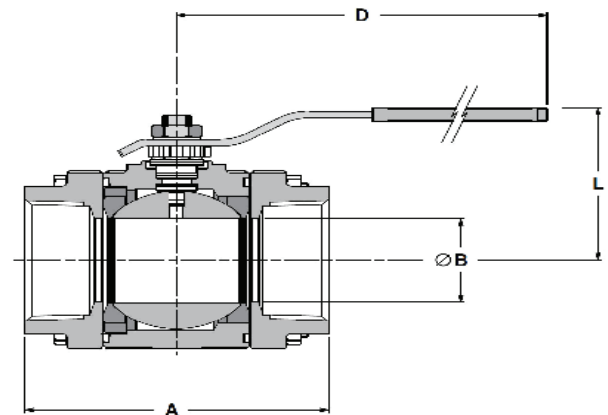
Size	A		B		D		L		Weight		C _v	Torque** TFM1600™		Torque** SupraLon™		Torque** Delrin		Torque** UHMWPE		Torque** PEEK	
	in.	mm	in.	mm	in.	mm	in.	mm	lbs	kg		in-lbf	Nm	in-lbf	Nm	in-lbf	Nm	in-lbf	Nm	in-lbf	Nm
1/4"*	2.60	66	0.44	11	5	127	1.8	46	2	0.9	3	45	5	50	6	50	6	50	6	61	7
3/8"*	2.60	66	0.44	11	5	127	1.8	46	2	0.9	5	45	5	50	6	50	6	50	6	61	7
1/2"	2.60	66	0.44	11	5	127	1.8	46	2	0.9	8	45	5	50	6	50	6	50	6	61	7
3/4"	2.81	71	0.56	14	5	127	1.9	48	2	0.9	12	45	5	50	6	60	7	75	8	130	15
1"	3.70	94	0.81	21	6	152	2.4	61	4	1.8	32	100	11	150	17	90	10	100	11	250	28
1-1/4"	4.25	108	1.00	25	6	152	2.6	66	5	2.3	57	130	15	175	20	300	34	150	17	295	33
1-1/2"	4.57	116	1.25	32	7	178	3.2	81	7	3.2	80	280	32	450	51	375	42	175	20	450	51
2"	5.04	128	1.50	38	7	178	3.3	84	11	5.0	104	360	41	600	68	675	76	275	31	650	73
2-1/2"	5.95	151	2.00	51	11	279	3.4	86	17	7.7	240	560	63	925	105	-	-	-	-	-	-
3"	6.68	170	2.50	64	14	356	7.3	185	30	13.6	320	1000	113	1500	170	-	-	-	-	-	-

R8 - PRESSURE/TEMPERATURE CHART



* 1/4" and 3/8" End Connections are Full Port

** At full differential pressure for clean fluids



Class 1500 (Sizes: 1/4" to 1")

Class 900 (Sizes: 1" to 2")

Class 300 (Sizes: 2-1/2" to 3")

Note: Maximum pressure & temperature is limited to the seat material rating

Series R8 Ball Valve

Three-Piece Ball Valve, Standard Port
 Sizes 1/4" ~ 3"



How To Order Guide (Columns 1 thru 11)

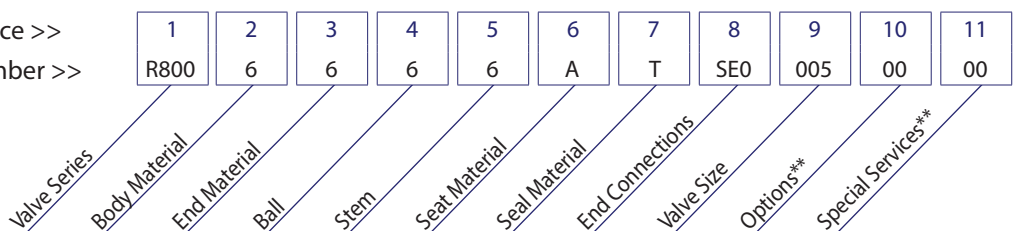
1 SERIES	2 BODY	3 ENDS	4 BALL	5 STEM	6 SEAT MATERIAL
R800*	4 = Carbon Steel ASTM A216 WCB 6 = 316 Stainless Steel ASTM A351 CF8M	4 = Carbon Steel ASTM A216 WCB 6 = 316L Stainless Steel ASTM A351 CF3M	6 = 316 Stainless Steel ASTM A351 CF8M	6 = 316 Stainless Steel ASTM A276 316 M = 17-4pH Stainless Steel ASTM A564 630 NOTE: Size 2-1/2" R8 Valve requires 17-4 pH Stem (Code M)	A = TFM1600™ D = Delrin*** (1/4" - 2") S = SupraLon™ U = UHMWPE K = PEEK (1/4" - 2") (Requires 17-4 Stem - Code M)

7 BODY SEAL	8 END CONNECTIONS	9 VALVE SIZE	10 OPTIONS**	11 SPECIAL SERVICES**
T = PTFE B = Buna "N" G = GRAFOIL U = UHMWPE V = Viton E = EPDM S = SupraLon™	SE0 = Threaded Ends (FNPT) SW0 = Socket Weld Ends BW0 = Butt Weld Ends Schedule 40 wall (Standard) AAA = Threaded End X Socket Weld End AAB = Threaded End X Butt Weld (Sch-40) End AAD = Threaded End X Butt Weld (Sch-10) End Butt Weld Ends: BWA = Schedule 5 BWB = Schedule 10 BWC = Schedule 80	002 = 1/4" (Full Port) 003 = 3/8" (Full Port) 005 = 1/2" 007 = 3/4" 010 = 1" 012 = 1-1/4" 015 = 1-1/2" 020 = 2" 025 = 2-1/2" 030 = 3"	00 = None OH = Oval Handle LK = Locking Device SX = ISO Cast Stem Extension AD = Anti-Static Device AA = Oval Handle & Locking Device AB = Oval Handle & ISO Cast Stem Extension AC = Locking Device & Anti-Static Device AG = ISO Cast Stem Extension & Locking Device JA = Oval Handle, ISO Cast Stem Extension & Locking Device JB = Oval Handle, ISO Cast Stem Extension & Anti-Static Device JE = Locking Device, ISO Cast Stem Extension & Anti-Static Device	00 = None XC = Oxygen Cleaned SF = Degreased (Silicone Free) UH = Vent/Relief Hole ¹ AS = Ammonia Service HC = High Cycle Stem Kit VV = Vacuum & Searching Gas Stem Kit

Order Example: (R8006666ATSE00050000) The Part Number will contain 20 digits.

Ordering Code Sequence >>

Sample Part Number >>



¹ Vent Hole is on the Upstream Side

*Use Ordering Code R8A0 for TFM1600™ stem seals.

**Not all Options or Special Services available on all ball valves. Consult SVF for additional information.

***Delrin Seats cannot be used for Oxygen Service