

Angle Seat Globe Valve, Metal

Construction

The GEMÜ 514 pneumatically operated 2/2-way valve has a robust low maintenance aluminium piston actuator. The valve spindle is sealed by a self-adjusting gland packing providing low maintenance and reliable valve spindle sealing even after a long service life. The wiper ring fitted in front of the gland packing protects it against contamination and damage.

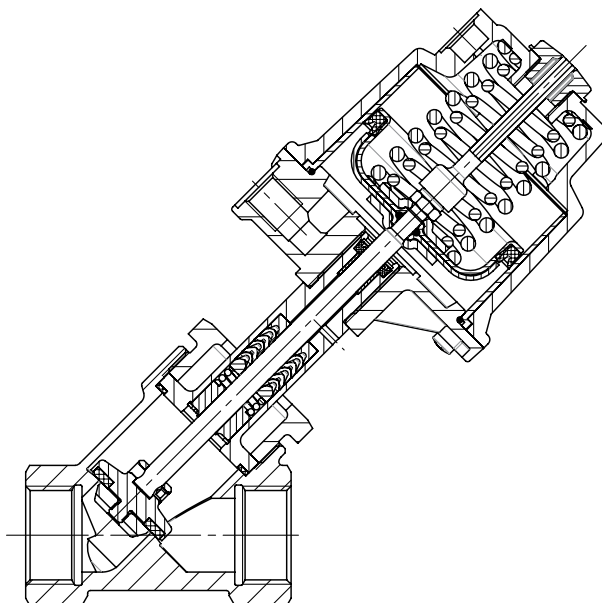
Features

- Substantially reduced installation dimensions when using the body with male threads which can be removed using union nuts
- Standard floating plug on spindle ensures excellent seat sealing
- Suitable for high operating temperatures and pressures
- Control medium connection can be rotated through 360°

Advantages

- Various valve body connections: threaded sockets, threaded spigots, butt weld spigots
- Good flow capability due to angle seat design
- Extensive range of accessories
- Versions with bellows available
- Special connections and materials on request
- Optionally suitable for contact with food according to Regulation (EC) No. 1935/2004 (K-No. 2013)
- Standard gland packing suitable for vacuum up to 0.59 inHg (abs.)

Sectional drawing



Technical data

Working medium

Corrosive, inert, gaseous and liquid media which have no negative impact on the physical and chemical properties of the body and seal material.

Max. perm. pressure of working medium see table

Medium temperature 14 °F to 356 °F

Max. permissible viscosity 600 mm²/s (cSt)

Other versions for lower/higher temperatures and viscosities on request.

Control medium

Inert gases

Max. perm. temperature of control medium: 140 °F

Filling volume
 Actuator size 0 and 3: 3.05 cu in
 Actuator size 1 and 4: 7.63 cu in
 Actuator size 2: 38.14 cu in

Flow direction

See page 5

Ambient conditions

Max. ambient temperature 140 °F

Maximum permissible seat leakage rate

| Seat seal | Standard | Test procedure | Leakage rate | Test medium |
|-----------|----------------|----------------|--------------|-------------|
| PTFE | DIN EN 12266-1 | P12 | A | air |
| Metal | DIN EN 12266-1 | P12 | F | air |

| Nominal size | Max. operating pressure [psi] Normally closed | | | | | Control pressure [psi] Normally closed | | | | | Cv value [gpm] |
|--------------|--|--|--|--|--|---|--|-----------------|--|-----------------|-------------------|
| | Actuator size 0 piston ø 1.97 in | Actuator size 3 piston ø 1.97 in | Actuator size 1 piston ø 2.76 in | Actuator size 4 piston ø 2.76 in | Actuator size 2 piston ø 4.72 in | Actuator size 0 | Actuator size 3 | Actuator size 1 | Actuator size 4 | Actuator size 2 | |
| 10 | 174 | 150 | 363 | 150 | - | 68 - 145 | min. control pressure see diagram max. control pressure 102 psi | 80 - 145 | min. control pressure see diagram max. control pressure 102 psi | - | 5.3 |
| 15 | 174 | 150 | 363 | 150 | - | 68 - 145 | | 80 - 145 | | - | 6.3 |
| 20 | 90 | 150 | 290 | 150 | 363 | 68 - 145 | | 80 - 145 | | 58 - 116 | 11.7 |
| 25 | 36 | 150 | 150 | 150 | 363 | 68 - 145 | | 80 - 145 | | 58 - 116 | 17.8 |
| 32 | - | - | 105 | 150 | 319 | - | | 80 - 145 | | 58 - 116 | 26.9 |
| 40 | - | - | 65 | 150 | 218 | - | | 80 - 145 | | 58 - 116 | 48 |
| 50 | - | - | 45 | 150 | 150 | - | | 80 - 145 | | 80 - 116 | 79.6 |
| 65 | - | - | 30 | - | 105 | - | | 80 - 145 | | 80 - 116 | 111.2 |
| 80 | - | - | 15 | - | 75 | - | 80 - 145 | 80 - 116 | 152.1 | | |

Operating pressure for seal material PTFE (code 5), for seal material steel (code 10) only 60% of the values indicated above.

Cv values determined with 1 psi pressure drop across valve, body with threaded sockets DIN ISO 228. The Cv value data refers to control function 1 (NC) and the largest actuator for each nominal size. The Cv values for other product configurations (e.g. other connections or body materials) may differ.

Technical data

| Nominal size | Max. operating pressure [psi] Normally open/ Double acting | | Control pressure [psi] Normally open/ Double acting | |
|--------------|--|--|---|--|
| | Actuator size 1 piston ø 2.76 in | Actuator size 2 piston ø 4.72 in | Actuator size 1 | Actuator size 2 |
| 10 | 363 | - | max. 73 psi | max. 102 psi for values see diagram |
| 15 | 363 | - | | |
| 20 | 363 | 363 | max. 102 psi | |
| 25 | 363 | 363 | | |
| 32 | 290 | 363 | for values see diagram | |
| 40 | 174 | 363 | | |
| 50 | 120 | 363 | max. 102 psi | |
| 65 | 75 | 261 | | |
| 80 | 51 | 150 | | |

For max. operating pressures the pressure/temperature correlation must be observed (see table on page 3).
All pressures are gauge pressures.

Pressure / temperature correlation for angle seat globe valve bodies

| Connection code | Material code | Max. allowable operating pressures in psi at temperature °F* | | | | | |
|------------------------------|---------------|--|-----|-----|-----|-----|-----|
| | | RT | 212 | 302 | 392 | 482 | 572 |
| 1, 3D, 9 (up DN 50) | 9 | 232 | 232 | 232 | 196 | - | - |
| 1, 9 (from DN 65) | 9 | 150 | 150 | 150 | 123 | - | - |
| 1, 9, 17, 37, 60, 63, 3C, 3D | 37 | 363 | 345 | 310 | 274 | 254 | 234 |
| 0, 16, 17, 37, 59, 60, 65 | 34 | 363 | 355 | 325 | 294 | 264 | 234 |
| 13 (DN 15 - DN 50) | 34 | 363 | 342 | 312 | 287 | 270 | 249 |
| 47 (DN 15 - DN 50) | 34 | 231 | 193 | 174 | 161 | 148 | 141 |
| 17, 59, 60 | C2 | 363 | 307 | 280 | 260 | 244 | 231 |

* The valves can be used down to 14 °F

RT = Room Temperature

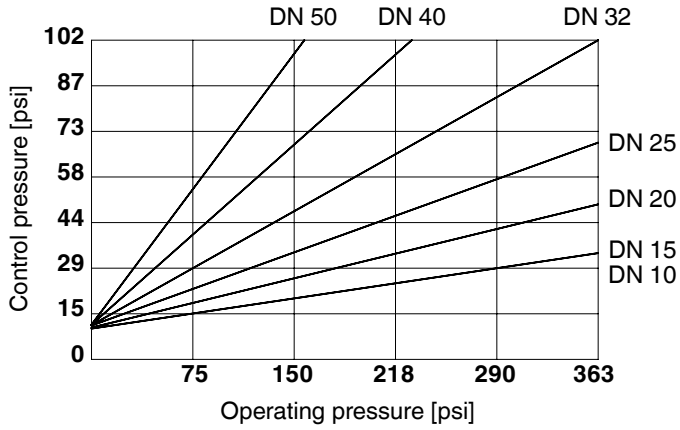
All pressures are gauge pressures.

Technical data

Operating pressure / Control pressure characteristics

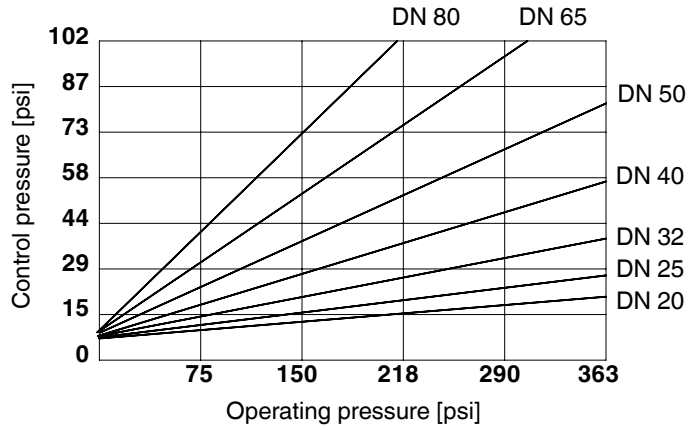
Actuator size 1 Normally open (NO) Double acting (DA)

Min. control pressure dependent on operating pressure
(Flow direction: under the seat)



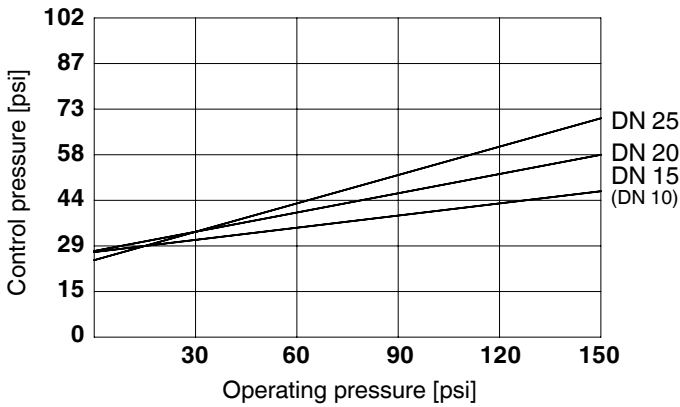
Actuator size 2 Normally open (NO) Double acting (DA)

Min. control pressure dependent on operating pressure
(Flow direction: under the seat)



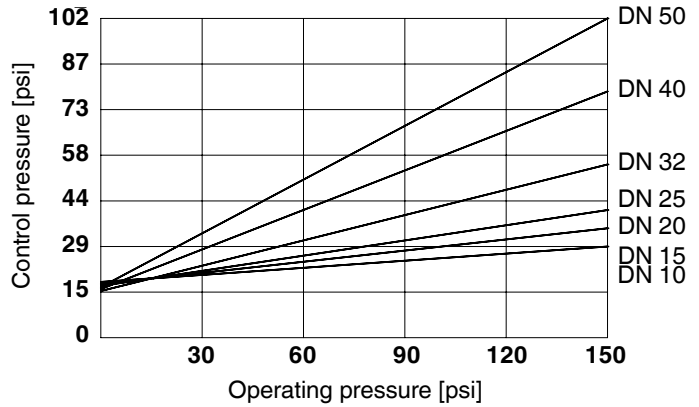
Actuator size 3 Normally closed (NC)

Min. control pressure dependent on operating pressure
(Flow direction: over the seat)



Actuator size 4 Normally closed (NC)

Min. control pressure dependent on operating pressure
(Flow direction: over the seat)



Order data

| Nominal size | | Code |
|--------------|------------|------|
| DN 8 | NPS 1/4" | 8 |
| DN 10 | NPS 3/8" | 10 |
| DN 15 | NPS 1/2" | 15 |
| DN 20 | NPS 3/4" | 20 |
| DN 25 | NPS 1" | 25 |
| DN 32 | NPS 1 1/4" | 32 |
| DN 40 | NPS 1 1/2" | 40 |
| DN 50 | NPS 2" | 50 |
| DN 65 | NPS 2 1/2" | 65 |
| DN 80 | NPS 3" | 80 |

| Body configuration | Code |
|---|------|
| 2/2-way body | D |
| Angle body only in material code 37 (DN 15 - 50) | E |

| Connection | Code |
|--|------|
| Butt weld spigots | |
| Spigots DIN | 0 |
| Spigots EN 10357 series B | 16 |
| Spigots EN 10357 series A (formerly DIN 11850 series 2) / DIN 11866 series A | 17 |
| Spigots SMS 3008 | 37 |
| Spigots ASME BPE | 59 |
| Spigots ISO 1127 / EN 10357 series C / DIN 11866 series B | 60 |
| Spigots ANSI/ASME B36.19M Schedule 10s | 63 |
| Spigots ANSI/ASME B36.19M Schedule 40s | 65 |
| Threaded connections | |
| Threaded sockets DIN ISO 228 | 1 |
| Threaded socket Rc ISO 7-1, EN 10226-2, JIS B 0203, BS 21, end-to-end dimension ETE DIN 3202-4 series M8 | 3C |
| Threaded spigots DIN ISO 228 | 9 |
| Threaded sockets NPT length DIN 3202-4 series M8 | 3D |
| Flanges | |
| Flanges EN 1092 / PN25 /form B, length see body dimensions | 13 |
| Flanges ANSI Class 125/150 RF, length see body dimensions | 47 |
| Bodies with clamp connections available on request | |

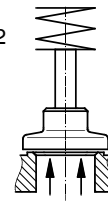
| Valve body material | Code |
|---|------|
| (Rg 5) CC499K, Cast bronze | 9 |
| 1.4435 (ASTM A 351 CF3M \cong 316L), Investment casting | 34 |
| 1.4408, Investment casting | 37 |
| 1.4435, Investment casting Material equivalency 316L | C2* |
| * A surface finish from the order code table "K number" must be specified for valve body material C2. | |

| Seat seal | Code |
|------------------------------|------|
| PTFE | 5 |
| PTFE, glass fibre reinforced | 5G |
| Steel | 10 |
| Other seat seals on request | |

| Control function | Code |
|-------------------------------------|------|
| Normally closed (NC) | 1 |
| Normally open (NO) | 2* |
| Double acting (DA) | 3* |
| *not with piston \varnothing 1.97 | |

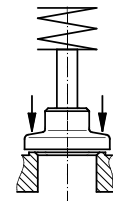
| Actuator size | Flow | Code |
|---|---------------------|------|
| Actuator 0 piston \varnothing 1.97 in | Flow under the seat | 0* |
| Actuator 1 piston \varnothing 2.76 in | Flow under the seat | 1* |
| Actuator 2 piston \varnothing 4.72 in | Flow under the seat | 2* |
| Actuator 3 piston \varnothing 1.97 in | Flow over the seat | 3** |
| Actuator 4 piston \varnothing 2.76 in | Flow over the seat | 4** |
| * Preferred flow direction with incompressible liquid media to avoid "water hammer" | | |
| ** only control function NC | | |

GEMÜ 514
Actuators 0, 1, 2



Flow
under the seat

GEMÜ 514
Actuators 3, 4



Flow
over the seat

Order data

| Version | Code |
|--|------|
| Gland packing PTFE / PTFE suitable for contact with food according to EU Regulation 1935/2004 | 2013 |
| Media temperature 14 to 410 °F (only with seat seal Code 5G and 10) | 2023 |
| Surface finish for valve body material C2 | |
| Ra ≤ 0,6 µm (25 µinch) for process contact surfaces, in accordance with ASME BPE SF2 + SF3, mechanically polished internal | 1903 |
| Ra ≤ 0,8 µm (30 µinch) for process contact surfaces, in accordance with DIN 11866 H3, mechanically polished internal | 1904 |
| Ra ≤ 0,4 µm (15 µinch) for process contact surfaces, in accordance with DIN 11866 H4, ASME BPE SF1, mechanically polished internal | 1909 |

| Special version | Code |
|---|------|
| Rigid plug fixing, special version for oxygen | B |
| Rigid plug fixing | C |
| Special version for oxygen (max. temperature 140 °F, max. operating pressure 150 psi), Flow direction: under the seat | S |

| Order example | 514 | 25 | D | 1 | 9 | 5 | 1 | 1 | 1903 | B |
|----------------------------|-----|----|---|---|---|---|---|---|------|---|
| Type | 514 | | | | | | | | | |
| Nominal size | | 25 | | | | | | | | |
| Body configuration (code) | | | D | | | | | | | |
| Connection (code) | | | | 1 | | | | | | |
| Valve body material (code) | | | | | 9 | | | | | |
| Seat seal (code) | | | | | | 5 | | | | |
| Control function (code) | | | | | | | 1 | | | |
| Actuator size (code) | | | | | | | | 1 | | |
| Version (code) | | | | | | | | | 1903 | |
| Special version (code) | | | | | | | | | | B |

| Version for food contact |
|--|
| For food contact, the product must be ordered with the following ordering options: |
| Version code 2013 |
| Seat seal code 5, 5G, 10 |
| Valve body material code 34, 37, C2 |

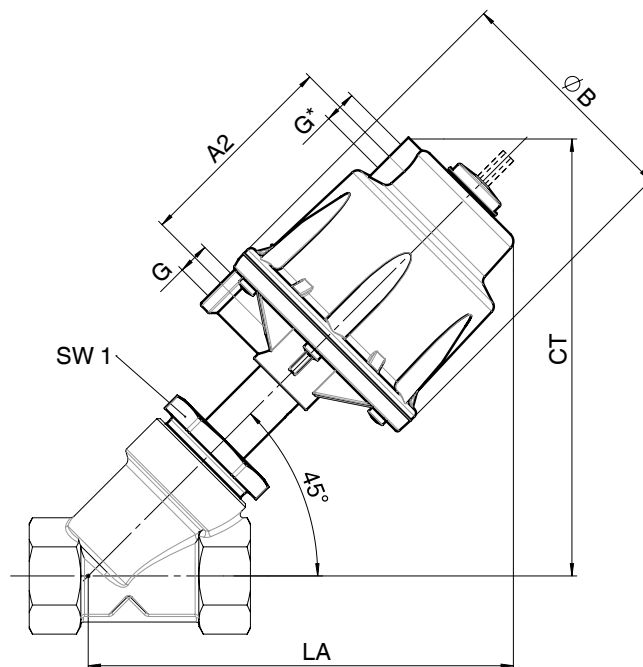
Actuator dimensions / Installation dimensions - Valve with 2/2-way body [inch]

Actuator dimensions

| Actuator size | ø B [in] | M | A2 [in] | G |
|---------------|----------|----------|---------|-------|
| 0 + 3 | 2.8 | M 16x1 | - | G 1/4 |
| 1 + 4 | 3.78 | M 16x1 | 3.37 | G 1/4 |
| 2 | 6.46 | M 22x1.5 | 4.84 | G 1/4 |

Installation dimensions / Weight

| DN | Wrench size SW1 [mm] | Actuator size 0 and 3 | | Actuator size 1 and 4 | | Actuator size 2 | |
|----|----------------------|-----------------------|--------------|-----------------------|--------------|-----------------|--------------|
| | | CT/LA [in] | Weight [lbs] | CT/LA [in] | Weight [lbs] | CT/LA [in] | Weight [lbs] |
| 8 | 36 | 5.91 | - | 6.34 | - | - | - |
| 10 | 36 | 5.91 | 2.0 | 6.34 | 3.1 | - | - |
| 15 | 36 | 6.02 | 2.0 | 6.46 | 3.1 | - | - |
| 20 | 41 | 6.42 | 2.4 | 6.85 | 3.5 | 9.49 | - |
| 25 | 46 | 6.42 | 2.9 | 6.85 | 4.0 | 9.49 | - |
| 32 | 55 | - | - | 7.17 | 5.3 | 9.80 | 10.1 |
| 40 | 60 | - | - | 7.36 | 5.9 | 10.00 | 12.1 |
| 50 | 75 | - | - | 7.68 | 7.5 | 10.31 | 14.1 |
| 65 | 75 | - | - | - | - | 10.83 | 18.7 |
| 80 | 75 | - | - | - | - | 11.50 | 21.2 |



* Connection only for actuator sizes 1 and 2; c.f. 2 and 3

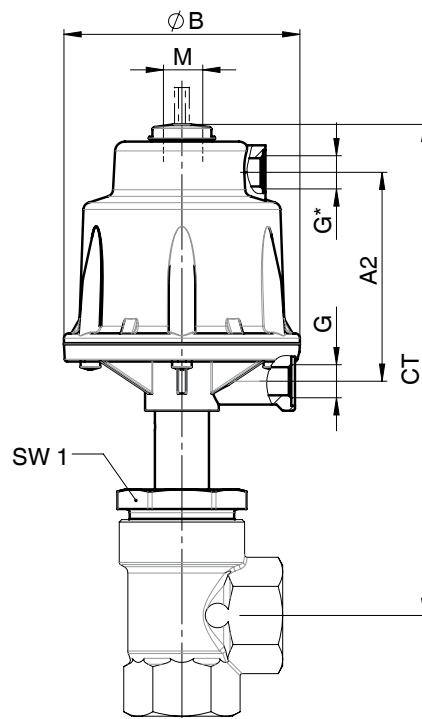
Actuator dimensions / Installation dimensions - Valve with angle body [inch]

Actuator dimensions

| Actuator size | ø B [in] | M | A2 [in] | G |
|---------------|----------|----------|---------|-------|
| 0 + 3 | 2.8 | M 16x1 | - | G 1/4 |
| 1 + 4 | 3.78 | M 16x1 | 3.37 | G 1/4 |
| 2 | 6.46 | M 22x1.5 | 4.84 | G 1/4 |

Installation dimensions / Weight

| DN | Wrench size SW1 [mm] | Actuator size 0 and 3 | | Actuator size 1 and 4 | | Actuator size 2 | |
|----|-------------------------|--------------------------|-----------------|--------------------------|-----------------|--------------------|-----------------|
| | | CT [in] | Weight [lbs] | CT [in] | Weight [lbs] | CT [in] | Weight [lbs] |
| 15 | 36 | 7.05 | 2.0 | 7.44 | 3.1 | - | - |
| 20 | 41 | 7.17 | 2.4 | 7.56 | 3.5 | 10.28 | - |
| 25 | 46 | 7.32 | 2.9 | 7.72 | 4.0 | 10.43 | - |
| 32 | 55 | - | - | 7.83 | 5.3 | 10.55 | 10.1 |
| 40 | 60 | - | - | 8.03 | 5.9 | 10.75 | 12.1 |
| 50 | 75 | - | - | 8.31 | 7.5 | 11.02 | 14.1 |



* Connection only for actuator sizes 1 and 2; c.f. 2 and 3

Body dimensions [inch]

Butt weld spigots, connection code 0, 16, 17, 37, 60 Valve body material: 1.4435 (code 34), 1.4408 (code 37)

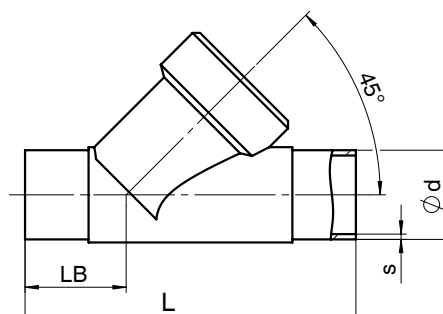
| DN | Material code 34 | | Material code 37 | | Connection code | | | | | | | | | |
|----|------------------|------|------------------|------|-----------------|-------|-------|-------|-------|-------|-------|-------|-------|-------|
| | L | LB | L | LB | 0 | | 16 | | 17 | | 37 | | 60 | |
| | | | | | ø d | s | ø d | s | ø d | s | ø d | s | ø d | s |
| 10 | 4.13 | 1.40 | - | - | - | - | 0.472 | 0.039 | 0.512 | 0.059 | - | - | 0.677 | 0.063 |
| 15 | 4.13 | 1.40 | 3.94 | 1.30 | 0.709 | 0.059 | 0.709 | 0.039 | 0.748 | 0.059 | - | - | 0.839 | 0.063 |
| 20 | 4.72 | 1.54 | 4.25 | 1.30 | 0.866 | 0.059 | 0.866 | 0.039 | 0.906 | 0.059 | - | - | 1.059 | 0.063 |
| 25 | 4.92 | 1.52 | 4.41 | 1.26 | 1.102 | 0.059 | 1.102 | 0.039 | 1.142 | 0.059 | 0.984 | 0.047 | 1.327 | 0.079 |
| 32 | 6.10 | 1.89 | 5.39 | 1.54 | - | - | 1.339 | 0.039 | 1.378 | 0.059 | - | - | 1.669 | 0.079 |
| 40 | 6.30 | 1.85 | 5.75 | 1.57 | 1.575 | 0.059 | 1.575 | 0.039 | 1.614 | 0.059 | 1.496 | 0.047 | 1.902 | 0.079 |
| 50 | 7.09 | 1.89 | 6.30 | 1.50 | 2.047 | 0.059 | 2.047 | 0.039 | 2.087 | 0.059 | 2.008 | 0.047 | 2.374 | 0.079 |
| 65 | - | - | 11.42 | 3.78 | - | - | - | - | 2.756 | 0.079 | 2.500 | 0.063 | 2.996 | 0.079 |
| 80 | - | - | 12.20 | 3.74 | - | - | - | - | 3.346 | 0.079 | 2.996 | 0.063 | 3.5 | 0.091 |

For materials see overview on last page

Butt weld spigots, connection code 59, 63, 65 Valve body material: 1.4435 (code 34), 1.4408 (code 37)

| DN | Material code 34 | | Material code 37 | | Connection code | | | | | |
|----|------------------|------|------------------|------|-----------------|-------|-------|-------|-------|-------|
| | L | LB | L | LB | 59 | | 63 | | 65 | |
| | | | | | ø d | s | ø d | s | ø d | s |
| 10 | 4.13 | 1.40 | - | - | - | - | - | - | - | - |
| 15 | 4.13 | 1.40 | 3.94 | 1.30 | 0.500 | 0.065 | 0.839 | 0.083 | 0.839 | 0.109 |
| 20 | 4.72 | 1.54 | 4.25 | 1.30 | 0.750 | 0.065 | 1.051 | 0.083 | 1.051 | 0.113 |
| 25 | 4.92 | 1.52 | 4.41 | 1.26 | 1.000 | 0.065 | 1.315 | 0.109 | 1.315 | 0.153 |
| 32 | 6.10 | 1.89 | 5.39 | 1.54 | - | - | - | - | 1.669 | 0.140 |
| 40 | 6.30 | 1.85 | 5.75 | 1.57 | 1.500 | 0.065 | 1.902 | 0.109 | 1.902 | 0.145 |
| 50 | 7.09 | 1.89 | 6.30 | 1.50 | 2.000 | 0.065 | 2.374 | 0.109 | 2.374 | 0.154 |
| 65 | - | - | 11.42 | 3.78 | 2.500 | 0.065 | 2.874 | 0.120 | - | - |
| 80 | - | - | 12.20 | 3.74 | 3.000 | 0.065 | 3.500 | 0.120 | - | - |

For materials see overview on last page

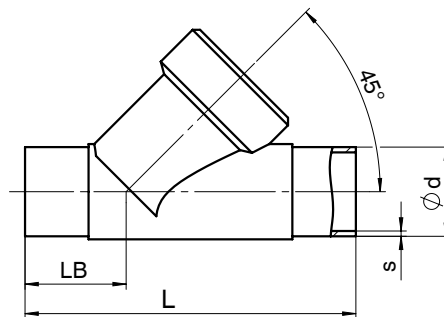


Body dimensions [inch]

Butt weld spigots, connection code 17, 59, 60
Valve body material: 1.4435 (code C2)

| | | | Connection code | | | | | |
|----|-------|-------|-----------------|-------|----------|-------|----------|-------|
| | | | 17 | | 60 | | 59 | |
| DN | L | LB | ϕd | s | ϕd | s | ϕd | s |
| 8 | 4.13* | 1.40* | - | - | 0.531 | 0.063 | - | - |
| 10 | 4.13 | 1.40 | 0.512 | 0.059 | 0.677 | 0.063 | - | - |
| 15 | 4.13 | 1.40 | 0.748 | 0.059 | 0.839 | 0.063 | 0.500 | 0.065 |
| 20 | 4.72 | 1.54 | 0.906 | 0.059 | 1.059 | 0.063 | 0.750 | 0.065 |
| 25 | 4.92 | 1.56 | 1.142 | 0.059 | 1.327 | 0.079 | 1.000 | 0.065 |
| 32 | 6.10 | 1.89 | 1.378 | 0.059 | 1.669 | 0.079 | - | - |
| 40 | 6.30 | 1.85 | 1.614 | 0.059 | 1.902 | 0.079 | 1.500 | 0.065 |
| 50 | 7.09 | 1.89 | 2.087 | 0.059 | 2.374 | 0.079 | 2.000 | 0.065 |
| 65 | 11.42 | 3.78 | 2.756 | 0.079 | 2.996 | 0.079 | 2.500 | 0.065 |
| 80 | 12.20 | 3.74 | 3.346 | 0.079 | 3.500 | 0.091 | 3.000 | 0.065 |

* Connection code 1A: L = 3.94, LB = 1.32



Body dimensions

Threaded sockets DIN, connection code 1 Valve body material: Cast bronze (code 9), 1.4408 (code 37)

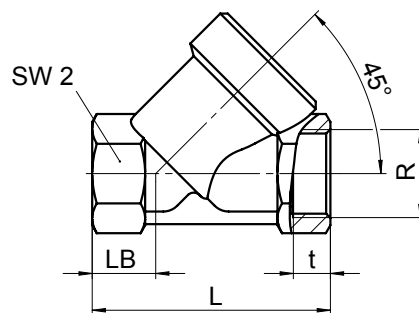
| DN | L [in] | LB [in] | R | t [in] | SW2 [mm] | |
|----|--------|---------|---------|--------|----------|-----------|
| 10 | 2.56 | 0.65 | G 3/8 | 0.45 | 27 | hexagonal |
| 15 | 2.56 | 0.65 | G 1/2 | 0.59 | 27 | hexagonal |
| 20 | 2.95 | 0.69 | G 3/4 | 0.64 | 32 | hexagonal |
| 25 | 3.54 | 0.94 | G 1 | 0.75 | 41 | hexagonal |
| 32 | 4.33 | 1.30 | G 1 1/4 | 0.84 | 50 | octagonal |
| 40 | 4.72 | 1.18 | G 1 1/2 | 0.84 | 55 | octagonal |
| 50 | 5.91 | 1.57 | G 2 | 1.01 | 70 | octagonal |
| 65 | 7.48 | 1.81 | G 2 1/2 | 1.19 | 85 | octagonal |
| 80 | 8.66 | 1.97 | G 3 | 1.31 | 100 | octagonal |

For materials see overview on last page

Threaded sockets NPT, BS 21 Rc, connection code 3C, 3D Valve body material: 1.4408 (code 37)

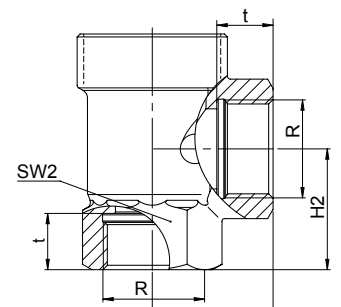
| DN | L [in] | LB [in] | SW2 [mm] | Connection code | | | | |
|----|--------|---------|----------|-----------------|----------|------|------------|------|
| | | | | 3C | | 3D | | |
| | | | | R | t [in] | R | t [in] | |
| 15 | 2.56 | 0.65 | 27 | hexagonal | Rc 1/2 | 0.59 | 1/2" NPT | 0.54 |
| 20 | 2.95 | 0.69 | 32 | hexagonal | Rc 3/4 | 0.64 | 3/4" NPT | 0.56 |
| 25 | 3.54 | 0.94 | 41 | hexagonal | Rc 1 | 0.75 | 1" NPT | 0.67 |
| 32 | 4.33 | 1.30 | 50 | octagonal | Rc 1 1/4 | 0.84 | 1 1/4" NPT | 0.69 |
| 40 | 4.72 | 1.18 | 55 | octagonal | Rc 1 1/2 | 0.84 | 1 1/2" NPT | 0.68 |
| 50 | 5.91 | 1.57 | 70 | octagonal | Rc 2 | 1.01 | 2" NPT | 0.70 |
| 65 | 7.48 | 1.81 | 85 | octagonal | Rc 2 1/2 | 1.19 | 2 1/2" NPT | 0.93 |
| 80 | 8.66 | 1.97 | 100 | octagonal | Rc 3 | 1.31 | 3" NPT | 1.02 |

For materials see overview on last page.



Threaded sockets DIN, connection code 1, 3D / Angle body Valve body material: 1.4408 (code 37)

| DN | SW2 [mm] | LE [in] | H2 [in] | Connection code 1 | | Connection code 3D | |
|----|----------|---------|---------|-------------------|--------|--------------------|--------|
| | | | | R | t [in] | R | t [in] |
| 15 | 27 | 1.18 | 1.18 | G 1/2 | 0.59 | 1/2" NPT | 0.54 |
| 20 | 32 | 1.38 | 1.48 | G 3/4 | 0.64 | 3/4" NPT | 0.56 |
| 25 | 41 | 1.61 | 1.61 | G 1 | 0.75 | 1" NPT | 0.67 |
| 32 | 50 | 1.97 | 1.89 | G 1 1/4 | 0.84 | 1 1/4" NPT | 0.69 |
| 40 | 55 | 1.97 | 2.17 | G 1 1/2 | 0.84 | 1 1/2" NPT | 0.68 |
| 50 | 70 | 2.36 | 2.44 | G 2 | 1.01 | 2" NPT | 0.70 |

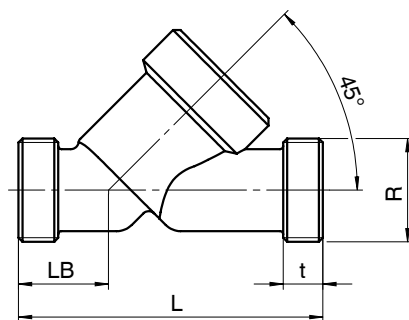


Body dimensions [inch]

Threaded spigots, connection code 9 Valve body material: Cast bronze (code 9), 1.4408 (code 37)

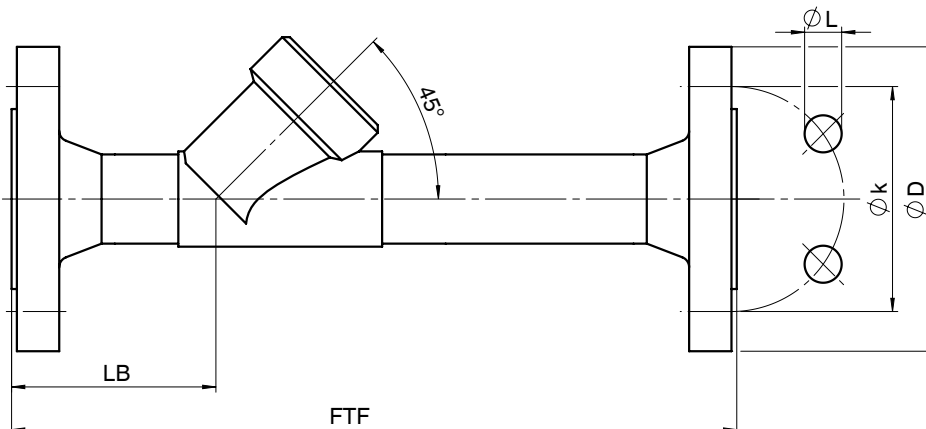
| DN | L | LB | t | R |
|----|-------|------|------|---------|
| 15 | 3.54 | 0.98 | 0.47 | G 3/4 |
| 20 | 4.33 | 1.18 | 0.59 | G 1 |
| 25 | 4.65 | 1.18 | 0.59 | G 1 1/4 |
| 32 | 5.12 | 1.50 | 0.51 | G 1 1/2 |
| 40 | 5.51 | 1.38 | 0.51 | G 1 3/4 |
| 50 | 6.89 | 1.97 | 0.59 | G 2 3/8 |
| 65 | 8.50 | 2.05 | 0.59 | G 3 |
| 80 | 10.00 | 2.52 | 0.71 | G 3 1/2 |

For materials see overview on last page



Flanges, connection code 13, 47 Valve body material: 1.4435 (code 34)

| DN | FTF | LB | Connection code 13 | | | | Connection code 47 | | | |
|----|-------|------|--------------------|------|------|-----------------|--------------------|------|------|-----------------|
| | | | ø D | ø L | ø k | Number of bolts | ø D | ø L | ø k | Number of bolts |
| 15 | 8.27 | 2.83 | 3.74 | 0.55 | 2.56 | 4 | 3.50 | 0.62 | 2.38 | 4 |
| 20 | 11.02 | 3.07 | 4.13 | 0.55 | 2.95 | 4 | 3.88 | 0.62 | 2.75 | 4 |
| 25 | 11.02 | 3.03 | 4.53 | 0.55 | 3.35 | 4 | 4.25 | 0.62 | 3.12 | 4 |
| 32 | 12.20 | 3.50 | 5.51 | 0.71 | 3.94 | 4 | 4.62 | 0.62 | 3.50 | 4 |
| 40 | 12.60 | 3.58 | 5.91 | 0.71 | 4.33 | 4 | 5.00 | 0.62 | 3.88 | 4 |
| 50 | 12.99 | 3.74 | 6.50 | 0.71 | 4.92 | 4 | 6.00 | 0.75 | 4.75 | 4 |



| Overview of metal bodies for GEMÜ 514 | | | | | | | | | | | | | | | |
|---------------------------------------|---------|----|----|----|----|----|----|----|----|----|----|----|----|----|----|
| Connection code | Spigots | | | | | | | | | | | | | | |
| | 0 | 16 | 17 | | | 37 | | 59 | | | 60 | | | 63 | 65 |
| Material code | 34 | 34 | 34 | 37 | C2 | 34 | 37 | 34 | 37 | C2 | 34 | 37 | C2 | 37 | 34 |
| DN 8 | - | - | - | - | - | - | - | - | - | - | - | - | X | - | - |
| DN 10 | - | X | X | - | X | - | - | - | - | - | X | - | X | - | - |
| DN 15 | X | X | X | X | X | - | - | X | - | X | X | X | X | X | X |
| DN 20 | X | X | X | X | X | - | - | X | - | X | X | X | X | X | X |
| DN 25 | X | X | X | X | X | X | - | X | - | X | X | X | X | X | X |
| DN 32 | - | X | X | X | X | - | - | - | - | - | X | X | X | - | X |
| DN 40 | X | X | X | X | X | X | - | X | - | X | X | X | X | X | X |
| DN 50 | X | X | X | X | X | X | - | X | - | X | X | X | X | X | X |
| DN 65 | - | - | - | X | X | - | X | - | X | X | - | X | X | X | - |
| DN 80 | - | - | - | X | X | - | X | - | X | X | - | X | X | X | - |

| Overview of metal bodies for GEMÜ 514 | | | | | | | | | | | |
|---------------------------------------|----------------------|--------------|------------|----|---|----|----|--------------|------------|---------|----|
| Connection code | Threaded connections | | | | | | | | | Flanges | |
| | 1 | | | 3C | 9 | | 3D | | | 13 | 47 |
| Material code | 9 | 37 | 37 | 37 | 9 | 37 | 9 | 37 | 37 | 34 | 34 |
| Body configuration | | 2/2-way body | Angle body | | | | | 2/2-way body | Angle body | | |
| DN 10 | - | X | - | - | - | - | - | - | - | - | - |
| DN 15 | X | X | X | X | X | X | X | X | X | X | X |
| DN 20 | X | X | X | X | X | X | X | X | X | X | X |
| DN 25 | X | X | X | X | X | X | X | X | X | X | X |
| DN 32 | X | X | X | X | - | X | X | X | X | X | X |
| DN 40 | X | X | X | X | X | X | X | X | X | X | X |
| DN 50 | X | X | X | X | X | X | X | X | X | X | X |
| DN 65 | X | X | - | X | X | X | - | X | - | - | - |
| DN 80 | X | X | - | X | X | X | - | X | - | - | - |

For further globe valves, accessories and other products, please see our Product Range catalogue and Price List.
Contact GEMÜ.



3265 Sunset Lane Hatboro, PA 19040 | 215-675-5700 | sentinelprocess.com

