

Product Information - HA

LIFE SCIENCES

"HA" Mini Pressure Transmitters

Introduction

Anderson-Negele's HA "Mini" sanitary pressure transmitter is specifically designed for critical measurements in fractional size lines. The product can be ordered with 3/4", 1", or 1-1/2" Tri-Clamp® connections as well as our CPM fitting. This eliminates the need for reducers or adapters, thus reducing hold-up volumes in small lines. Internal zero and span adjustments and easily accessible test points greatly simplify calibration and validation. 316 "L" stainless steel wetted parts are electro-polished to an $R_a=8$. Finally, since it's an Anderson-Negele "Life Sciences Series" product, every transmitter includes a calibration certificate and permanent tag at no charge. Complete specifications appear below, with an ordering matrix and dimensions on the reverse.



Specifications

Excitation:	10-40 VDC (Absolute), 24 VDC Nominal regulated or unregulated	Over-Range Rating:	2 times base range
Output:	4-20 mA DC, 2 wire with non-interrupting circuit verification test points	Response Time:	200 uSec
Loop Resistance:	0-700 ohms at 24 VDC	Wetted Parts:	316L stainless steel electropolished (Ra max. = 8 microinches, .2 microns)
Wiring Connection:	16 AWG max.; Screw Terminal; Accessible via removable screw cap conduit housing	Housing Material:	304 stainless steel
	Optional 5pin M12 Quick Disconnect Receptacle	Actuating Fill:	100% mineral oil. Meets FDA requirements (21 CFR, 172.878 and 178.3620(a))
Recommended Cable:	22-24 AWG, foil shielded, and PVC coated. (3/16 - 1/4 OD insulation)	Zero and Span Adjustments:	± 10% of range
Accuracy:	± 0.5% of full scale	Mounting:	Direct connection
Repeatability:	± 0.3% of full scale	Electrical Ratings:	Intrinsically safe for use in Class 1, Div. 1, Groups A-D; CE Compliant (EMC Industrial Locations)
Hysteresis:	± 0.10% of full scale	Standards:	Designed and manufactured to sound engineering practices in accordance with Article 3.3 of the PED 97/23/EC
Linearity:	±0.10% of full scale		NEMA 4X
Stability:	±0.30% of calibrated range/6 months		IP66
Storage Temperature:	-40°C to 65°C (-40°F to 149°F)		CSA B51-03
Process Temperature Limits:	-1°C to 149°C (30°F to 300°F) (Horizontal Mount recommended over 135°C (275°F))		CRN# CSA0F9754.5C (except Mini CPM fitting 161)
Ambient Temperature Limits:	-18°C to 49°C (0°F to 120°F)		
Effect of Temperature Change:	± 0.1 psig/5.5°C (10°F) typical		

Order Information



HOUSING

6 Conduit Housing

RANGE/(AVAILABLE UNITS)

025	30" Hg/0	(M)
028	30" Hg/0/15 psig	(C)
029	30" Hg/0/30 psig	(C)
031	30" Hg/0/60 psig	(C)
032	30" Hg/0/100 psig	(C)
056	-1/0/4 BAR	(B)
057	0/2 BAR	(B, T)
060	0/6 BAR	(B)
061	0/10 BAR	(B, T)
066	0/30	(G, A, M)
068	0/50	(G, A, B)
069	0/60	(G, A, B)
071	0/100	(G, A)
073	0/150	(G, A)
077	0/300	(G, A)
081	0/500	(G)
084	0/1000	(G)
192	0/4 BAR	(B, T)
217	-1/0/3 BAR	(B)
235	0/3 BAR	(B, T)
251	-1/0/1 BAR	(B)
286	-1/0/2.5 BAR	(B)
304	-1/0/7 BAR	(B)

ENGINEERING UNITS

G	PSIG
M	" Hg (inches mercury)
A	PSIA
B	BAR
C	Vacuum/Pressure (Hg & PSIG)
T	BAR (Absolute)

FITTING

002	3/4" Tri Clamp®
003	1" Tri Clamp®
004	1.5" Tri Clamp®
123	CPM*
161	Mini CPM

0 STANDARD SENSOR

CABLE LENGTH

00	No Cable
05	25'
10	50'
15	75'
20	100'
24	200'
A0	Quick Disconnect Receptacle(QDR)**
A1	QDR & Field Wireable Connector(FWC)**
A2	QDR w/25 ft Molded Cordset**
A3	QDR w/50 ft Molded Cordset**
A5	QDR w/100 ft Molded Cordset**
A9	QDR w/200 ft Cable**

FINISH

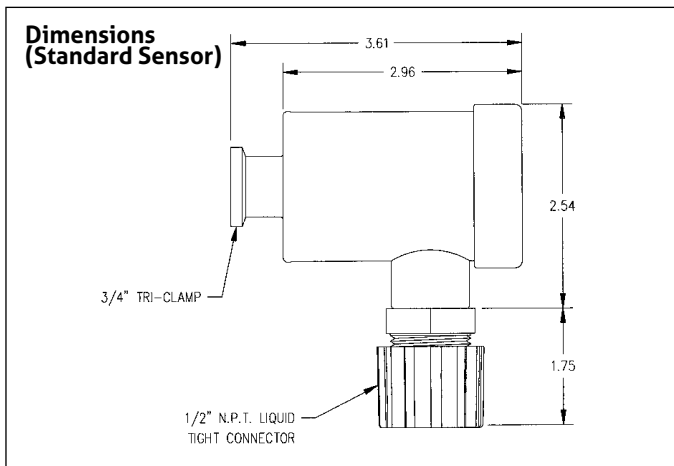
2 Electropolished (R_a = 8)

DIAPHRAGM MATERIAL

1 316L Stainless Steel

* Standard O-Ring material is EPDM USP Class VI
Silicon or Viton available as an option

** UL Certification for Intrinsic Safety Pending



3265 Sunset Lane, Hatboro, PA 19040
www.sentinelprocess.com
 P: 800.345.FLOW F: 888.329.9669