

Sample & Vent Valves

SafeSamp Valves are manufactured with operators in mind. Large, ergonomic handles and visual indication of valve open/close are two of the standard features engineered into the design of this dependable, versatile and useful valve.

Standard Features and Benefits:

- 316L Stainless Steel body
- 20Ra surface finish (SFF1)
- USP Class VI Material Certifications
- Safety lock pin
- Designed for CIP, SIP and autoclaving
- Handwheel with visual indicator

Options:

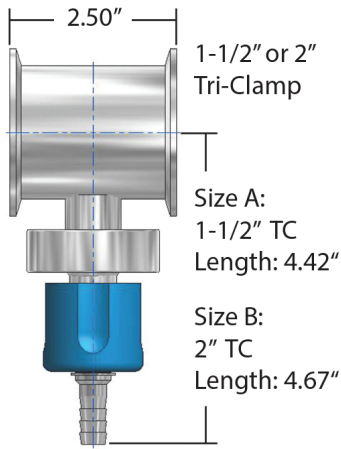
- Hastelloy body
- 15Ra EP surface finish (SFF4)
- Tri-Clamp outlet connection
- T-Valve design
- Custom configurations
- Variety of colors for visual indication

Visit us at [sentinelprocess.com](https://www.sentinelprocess.com) or call 800.345.FLOW today!

Contact Sentinel Process Systems, Inc. to help with all your Process Component, Instrumentation and Single-Use needs.

In-Line Spool Valve

1/2" - 4" Sanitary Clamp

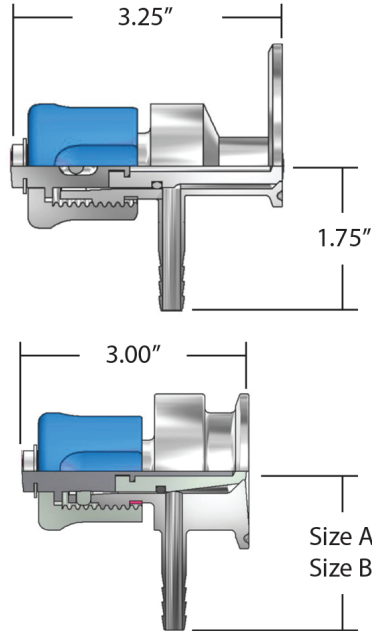


In-Line Sample Valve 316L 1/4" Barb

Angled Valve

Concentric and Eccentric

1/2" - 4" Sanitary Clamp

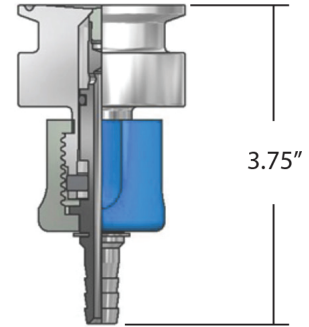


Size A: 1-1/2" TC Length: 4.375"
Size B: 2" TC Length: 4.625"

In-Line Valve

Concentric and Eccentric

1/2" - 4" Sanitary Clamp



PART NUMBER CONFIGURATION

MODEL	Type		CONN	INLET	OUTLET	MOC		FINISH	Seal Material (USP Class VI)			Handwheel (ULTEM; USP Class VI)					
	CONFIG	Inlet				Outlet	BODY/STEM		O-RING	SEAT	Color	B					
KME	Angled; Concentric	Tri-Clamp	Hose Barb	005	1/2"	20	1/4"	316	Stainless 316L	PL	SF1	VITON	-	PTFE	-	Blue	B
KMZ	Angled; Eccentric	Tri-Clamp	Hose Barb	007	3/4"	30	3/8"	276	Hastelloy C276	PM	SF4	EPDM	E				
KMG	In-Line; Concentric	Tri-Clamp	Hose Barb	010	1"	40	1/2"			PO	SF5	Silicone	S				
KMH	Angled; Concentric	Tri-Clamp	Tri-Clamp	015	1.5"	Example: Angle, Eccentric, 1 1/2in TC Inlet and 1/4 HB, 15Ra EP Finish EPDM O-Ring; Blue Handwheel P/N = KMZ01520316PMEB Notes: 1. Items with no designation are the default configuration and are not required 2. Blue Ultem Handwheel is our standard product 3. Optional Colored Handwheels available upon request - Black Ultem Handwheels available at no additional cost 4. All valves come with a RED Ultem Opening Indicator Strip											
KMY	Angled; Eccentric	Tri-Clamp	Tri-Clamp	020	2"												
KMI	In-Line; Concentric	Tri-Clamp	Tri-Clamp	025	2.5"												
				030	3"												
				040	4"												

