

Rigid Outer Containment

Cylindrical tanks

Entegris rigid support containers are utilized to support flexible, single-use, sterile bags and open-top liners for transient applications or long-term storage. These containers may be used multiple times and support intra-site transfer of large volume liquids (50 – 200 L) and stable transportation of these liquids when palletized.

APPLICATIONS

- Storage of process liquids, buffers, media, and excipients
- Support for open top tank liners
- Transport within a facility and shipping of product
- Works in conjunction with Entegris mixing system

FEATURES & BENEFITS

- Volume listed in liters and gallons
- Translucent design allows accurate volume estimation
- Reusable for shipping and storage applications
- Sized to support commercially available flexible disposable chambers
- Contains inorganic additive to tank resin which inhibits the growth of bacteria, mold, and yeast
- Material of construction: Polyethylene (PE)



DIMENSIONS



Size	A (ID)	B (height)
50 L	21.5" (547 mm)	10.2" (258 mm)
100 L	21.5" (547 mm)	18.9" (479 mm)
200 L	21.5" (547 mm)	37.4" (950 mm)

Contact your Entegris account manager to find out more information on how these tanks will enhance your process.

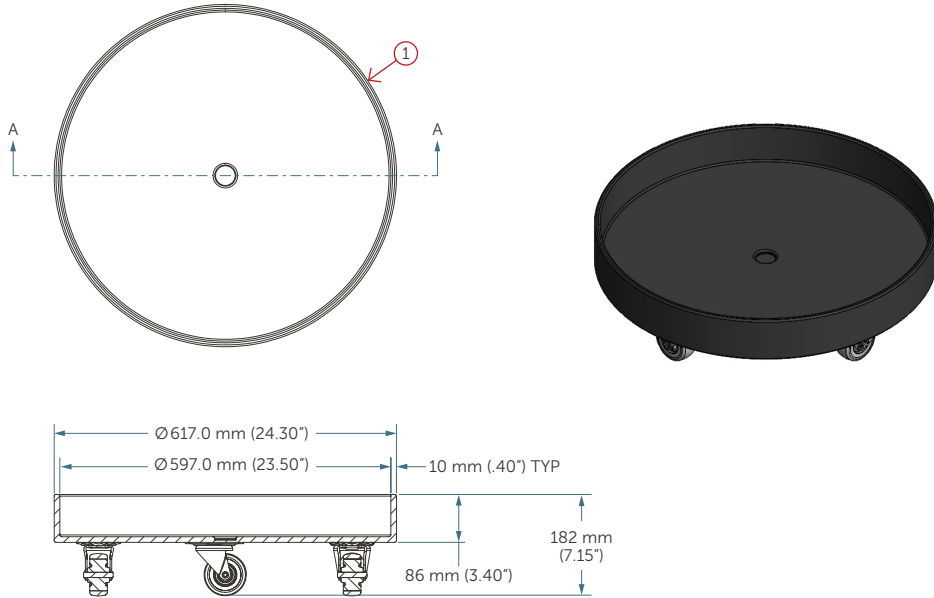
ORDERING INFORMATION

Part number	Description	Minimum order quantity	Recommended 3D standard bag system	Recommended liner
FSF05537.01	50 L cylindrical tank, with lid	4	FSB04564.01 (50 L 3D top drain with MPCs, MPXs, standard)	FSA00491.01 (50 L liner, single-ply, gamma irradiated)
FSF05537.02	100 L cylindrical tank, with lid	4	FSB04564.02 (100 L 3D top drain with MPCs, MPXs, standard)	FSA00491.02 (100 L liner, single-ply, gamma irradiated)
FSF05537.03	200 L cylindrical tank, with lid	4	FSB04564.03 (200 L 3D top drain with MPCs, MPXs, standard)	FSA00491.03 (200 L liner, single-ply, gamma irradiated)

ACCESSORIES

Tank dolly

Part number	Description	Minimum order quantity
FSF00010.03	Dolly for 50 L, 100 L, and 200 L tanks	1



FOR MORE INFORMATION

Please call your Regional Customer Service Center today to learn what Entegris can do for you. Visit entegris.com and select the [Contact Us](#) link to find the customer service center nearest you.

TERMS AND CONDITIONS OF SALE

All purchases are subject to Entegris' Terms and Conditions of Sale. To view and print this information, visit entegris.com and select the [Terms & Conditions](#) link in the footer.



Corporate Headquarters

129 Concord Road
Billerica, MA 01821
USA

Customer Service

Tel +1 952 556 4181
Fax +1 952 556 8022
Toll Free 800 394 4083

Entegris®, the Entegris Rings Design®, and other product names are trademarks of Entegris, Inc. as listed on entegris.com/trademarks. All third-party product names, logos, and company names are trademarks or registered trademarks of their respective owners. Use of them does not imply any affiliation, sponsorship, or endorsement by the trademark owner.

©2024 Entegris, Inc. | All rights reserved. | Printed in the USA | 3751-13482ENT-0624